



DRV 830-D
Type A (DN 15 - DN 32)



DRV 830-D
Type B (DN 40 - DN 50)



Pressure reducing valve
Flange • Steam
Stainless steel

Pressure reducing valves of the series are piston-controlled, spring-loaded pressure reducing valves. These valves are inlet pressure relieved.

Media

The pressure reducers are particularly suitable for use with hot water and steam, but can also be used in the case of aggressive water and other aggressive liquids. They are also suitable for air and neutral gases when larger flow rates are required.

DGRL 2014/68/EU



Classification societies

- DNV GL
- LR
- BV
- ABS
- CCS

Customs tariff number

84811019



Features

- pressure relieved single seated valve
- piston-controlled
- continuously adjustable outlet pressure
- max. inlet pressure up to 16 bar
- outlet pressure: 0.3 - 2 bar
- Flanges acc. to DIN EN 1092 PN 40
- optionally ANSI or JIS
- replaceable inner parts
- double-ended G 1/4" manometer fitting (for outlet pressure)
- assembly position: any desired, preferably vertical
- minimum pressure difference (inlet/outlet pressure): 0.3 bar

Pressures



max. 16 bar



0.3 - 2 bar

Connections



Flange connection
acc. to DIN EN 1092 PN 40
from DN 15 up to DN 50

Materials



Temperatures

Various options in the area of seals and wetted internal parts allow a maximum temperature of up to 200 °C.



from -30 °C up to +200 °C

Seals and temperatures

PTFE/ EPDM - 30 °C to +150 °C
PTFE/ EPDM/ FEPM +20 °C to +200 °C



steam up to 150 °C

body
stainless steel
1.4408

spring bonnet
stainless steel 1.4408

seals
PTFE/ EPDM

wetted parts
stainless steel 1.4404

max.
temperature

150 °C



steam up to 200 °C

body
stainless steel
1.4408

spring bonnet
stainless steel 1.4408

seals
PTFE/ EPDM/
FEPM

wetted parts
stainless steel 1.4404

200 °C



Technical data

nominal size	15	20	25	32	40	50
--------------	----	----	----	----	----	----

Type

A

B

Pressures

max. inlet pressure [bar]

max. 16 bar



DRV 830-D

16

16

outlet pressure [bar]

0.3 - 2 bar



DRV 830-D

0.3 - 2

0.3 - 2

Connections

dimensions [mm]

Flange connection
from DN 15 up to DN 50



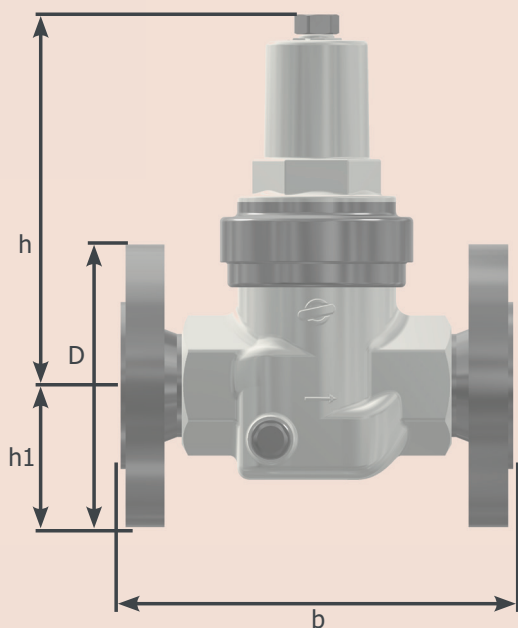
	b	130	150	160	180	200	230
DRV 830-D	D	95	105	115	140	150	165
	h1	48	53	58	70	75	83
	h	150	150	151	151	262	262

weight [kg]

DRV 830-D	3.8	4.6	5.8	7.0	13.0	14.5
-----------	-----	-----	-----	-----	------	------

kvs-value [m³/h]

all types	3.0	3.3	4.5	4.7	11.3	12.0
-----------	-----	-----	-----	-----	------	------





Articel number

nominal size	15	20	25	32	40	50
--------------	----	----	----	----	----	----

steam up to 150 °C

DRV 830-D	083002-000A0	083003-000A0	083004-000A0	083005-000A0	083006-000A0	083007-000A0
-----------	--------------	--------------	--------------	--------------	--------------	--------------

steam up to 200 °C

DRV 830-D	083002-000B0	083003-000B0	083004-000B0	083005-000B0	083006-000B0	083007-000B0
-----------	--------------	--------------	--------------	--------------	--------------	--------------

Standard article numbers are 6 digits, article numbers for additional options are 11 digits. (See next page for an overview of options)

Manometer

diameter	connection	body	pressure range	max. temp.	art. no.
63 mm	G 1/4", central back	stainless steel	0 - 10 bar	200 °C	009014



Options

CC - Connection			E - elastomers		
00 -	DIN EN 1092 PN 40	standard	A -	PTFE/ EPDM	steam up to 150 °C
61 -	ANSI B16.5 RF	class 150 lbs	B -	PTFE/ EPDM/ FEPM	steam up to 200 °C
M - materials wetted parts			F - finishes		
0 -	stainless steel 1.4404	standard	0 -	without additional finishes	

Configuration example of an article number with additional options

inlet pressure: 3 bar outlet pressure: 1.5 bar connection: DN 50 ANSI B16.5 RF
 seals: PTFE/EPDM/FEPM temperature: 160 °C without additional finishes

art. no. standard version						-	A	A	I	E	B
0	8	3	0	0	7	-	6	1	0	B	0