



DRV 806 (DN 65 -DN 100)



**Pressure reducing valve**  
**Flange • Standard pressure**  
**Stainless steel**

Pressure reducers of the series are diaphragm-controlled, spring-loaded pressure reducers and have an upstream pressure compensation.

**Media** .....

The pressure reducers are suitable for use with aggressive water and other aggressive liquids, but can also be used for air and neutral gases if higher pressure levels are required.

DGRL 2014/68/EU **CE**

**Customs tariff number** .....

84811019



**Features**

- pressure relieved single seated valve
- diaphragm controlled
- continuously adjustable outlet pressure
- max. inlet pressure up to 40 bar
- outlet pressure: 0,5 - 10 bar
- flanges acc. to DIN EN 1092
- optionally all sizes with ANSI flanges
- inner parts replaceable
- mounting position any
- min. pressure difference (inlet/ outlet pressure): 1 bar
- reduction ratio: 25:1

**Pressures**



max. 40 bar



0,5 - 10 bar

**Connections**



Flange connection  
acc. to DIN EN 1092 PN 40 (DN 65 - DN 100)

**Materials**

	body	spring bonnet	seals	wetted parts	max. temperature
standard version	stainless steel 1.4408	stainless steel 1.4408	FKM EPDM NBR	stainless steel 1.4404	200 °C



**Temperatures**

Various options in the area of seals and wetted internal parts allow a max. temperature of up to 200°C.



up to +200 °C

**Seals and Temperature**

- NBR up to +100°C
- EPDM up to +140°C
- FKM up to +200°C



**Technical data**

nominal size	65	80	100
--------------	----	----	-----

**Pressures**

max. 40 bar



max. inlet pressure [bar]

DRV 806

40

0,5 - 10 bar



outlet pressure [bar]

DRV 806

0,5 - 1,0  
1,0 - 1,6  
1,6 - 2,5  
2,5 - 4,0  
4,0 - 6,3  
6,3 - 10,0

**Connections**

Flange connection  
from DN 65 to DN 100



dimensions [mm]

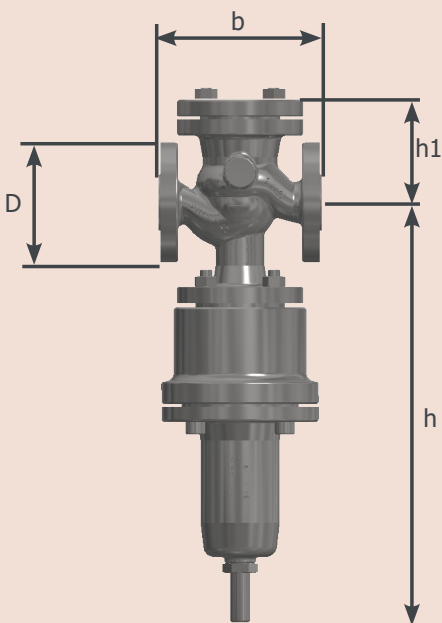
	b	290	310	350
DRV 806	D	185	200	220
	h1	155	180	180
	h	465	630	655

weight [kg]

DRV 806	43	62	78
---------	----	----	----

kvs-value[m<sup>3</sup>/h]

DRV 806	34	52	80
---------	----	----	----





**Article number** .....

nominal size	65	80	100
DRV 806	080608	080609	080610

**Options** .....

**C C - connections**

56 -	DIN EN 1092 PN 40	Standard DN 65 - DN 100
61 -	ANSI B 16.5 RF	class 150 lbs

**M - material wetted parts**

3 -	V4A	Standard
-----	-----	----------

**E - elastomers**

1 -	NBR
2 -	EPDM
3 -	FKM

**B - outlet pressure**

A -	0,5 - 1,0 bar
B -	1,0 - 1,6 bar
C -	1,6 - 2,5 bar
D -	2,5 - 4,0 bar
E -	4,0 - 6,3 bar
F -	6,3 - 10,0 bar

**Configuration example of an article number** .....

inlet pressure: 10 bar  
seals: EPDM

outlet pressure: 5 bar  
temperature: 30 °C

connection: DN 65 DIN EN 1092

art.no.						standard	version	-	A	A	I	E	B
0	8	0	6	0	8	-	5	6	3	2	E		



**Flow diagram**

