

DRV 772-R • DRV 778-R
Type A (DN 15 - DN 32)



DRV 772-R • DRV 778-R
Type B (DN 40 - DN 50)



Pressure reducing valve
Male thread • Wide range
Stainless steel

Pressure reducing valves of the series are diaphragm-controlled, spring-loaded pressure reducing valves. These valves are inlet pressure relieved.

DGRL 2014/68/EU



Classification societies

- DNV GL
- LR
- BV
- ABS
- CCS

Customs tariff number

84811005

Media

The pressure reducers are suitable for use with aggressive waters and other aggressive liquids, but can also be used for air and neutral gases when larger flow rates are required.

FDA / EC 1935/2004

Our stainless steel series with EPDM seals correspond to the requirements of the EU Regulation EC 1935/2004 and the Regulations of the FDA (Food and Drug Administration).

The metallic components in contact with the medium are made of austenitic materials such as 1.4408 and 1.4404.

The EPDM seals are conform FDA (21 CFR part 177.2600) and EC 1935/2004. This means you can use our stainless steel series with EPDM seals in the secondary sector of food applications.



Features

- pressure-relieved single seated valve
- diaphragm-controlled
- continuously adjustable outlet pressure
- max. inlet pressure up to 40 bar
- outlet pressure: 0,5 - 9 bar
- male thread acc. ISO 7
- with integrated strainer filter
- replaceable inner parts
- double-ended G 1/4" manometer fitting (for outlet pressure)
- assembly position: any desired, preferably vertical
- minimum pressure difference (inlet/outlet pressure): 1 bar
- EPDM seals with FDA conformity

Pressures



max. 40 bar



0,5 - 9 bar

Connections



Male thread
acc. ISO 7
from R 1/2" up to R 2"

Materials

	body	spring bonnet	seals	wetted inner parts	max. temperature
standard version	stainless steel 1.4408	stainless steel 1.4408	EPDM*, FKM, NBR	stainless steel 1.4404	190 °C**



Temperatures

Various options in the area of seals and wetted inner parts allow a maximum temperature of up to 190 °C.



from -30 °C up to +190 °C

Seals and temperatures

NBR	-15 °C to +100 °C
EPDM*	-30 °C to +130 °C
FKM	-10 °C to +190 °C

*with FDA conformity
**with FKM seals



Technical data

nominal size	15	20	25	32	40	50
R	1/2"	3/4"	1"	1 1/4"	1 1/2"	2"

Type		A	B
Pressures			

max. 40 bar		max. inlet pressure [bar]		
		DRV 772-R	40	40
		DRV 778-R	40	40

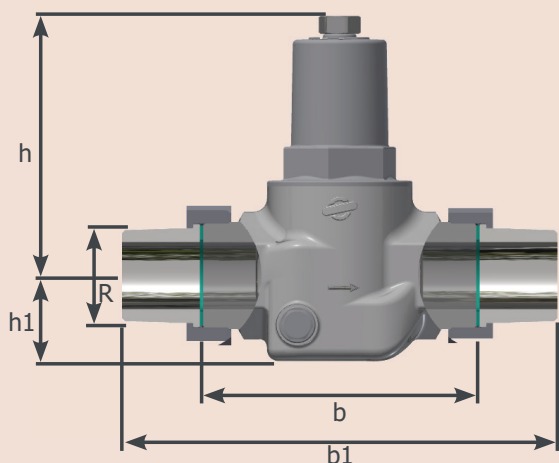
0,5 - 9 bar		outlet pressure [bar]		
		DRV 772-R	0,5 - 4	0,5 - 4
		DRV 778-R	0,5 - 9	0,5 - 9

Connections

Male thread from R 1/2" to R 2"		dimensions [mm]							
		R	1/2"	3/4"	1"	1 1/4"	1 1/2"	2"	
		b	105	105	122	122	156	160	
		all types	b1	168	168	195	195	250	250
			h1	29	29	38	38	39	39
			h	116	116	116	116	219	219

weight [kg]							
DRV 772-R	1,6	1,7	2,8	2,8	6,5	6,4	
DRV 778-R	1,6	1,6	2,8	2,9	6,6	6,6	

kvs-value [m³/h]							
all types	2,9	3,9	5,4	6,1	9	13	





Article number

nominal size	15	20	25	32	40	50
R	1/2"	3/4"	1"	1 1/4"	1 1/2"	2"

standard version

DRV 772-R	077202-R0XXX	077203-R0XXX	077204-R0XXX	077205-R0XXX	077206-R0XXX	077207-R0XXX
DRV 778-R	077802-R0XXX	077803-R0XXX	077804-R0XXX	077805-R0XXX	077806-R0XXX	077807-R0XXX

Article numbers are 11 digits. (See option overview and configuration example)

Options

CvC - connections

R0 - ISO 7

E - elastomers

3 - FKM
 1 - NBR
 8 - EPDM with FDA conformity

M - material of wetted inner parts

3 - stainless steel 1.4404
 9 - stainless steel 1.4404 (complete valve)

F - finishes

0 - without additional finishes

Configuration example of an article number with additional options

inlet pressure: 10 bar
 seals: EPDM

outlet pressure: 5 bar
 temperature: 30 °C

connection: 2" ISO 7
 without additional finishes

art.no. standard version											
0	7	7	8	0	7	-	C	C	M	E	F
							R	0	3	8	0

Manometer

diameter	connection	body	pressure range	max. temp.	art.no.*
63 mm	G 1/4", central back	stainless steel	0 - 10 bar	190 °C**	009014

*article numbers are 11 digits. See option overview and configuration example
 **with FKM seals



Flow diagram

