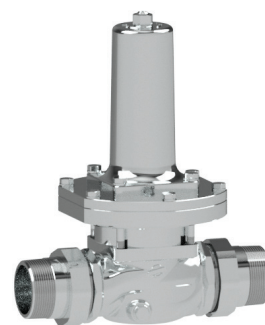


DRV 750-R  
Type A (DN 15 - DN 32)



DRV 750-R  
Type B (DN 40 - DN 50)



**Pressure reducing valve**  
**Male thread • Low pressure**  
**Stainless steel**

Pressure reducing valves of the series are diaphragm-controlled, spring-loaded pressure reducing valves. These valves are inlet pressure relieved.

DGRL 2014/68/EU



**Classification societies** .....

- DNV GL
- LR
- BV
- ABS
- CCS

**Customs tariff number** .....

84811005

**Media** .....

The pressure reducers are suitable for use with aggressive waters and other aggressive liquids, but can also be used for air and neutral gases when larger flow rates are required.

**FDA / EC 1935/2004** .....

Our stainless steel series with EPDM seals correspond to the requirements of the EU Regulation EC 1935/2004 and the Regulations of the FDA (Food and Drug Administration).

The metallic components in contact with the medium are made of austenitic materials such as 1.4408 and 1.4404.

The EPDM seals are conform FDA (21 CFR part 177.2600) and EC 1935/2004. This means you can use our stainless steel series with EPDM seals in the secondary sector of food applications.



### Features

- pressure-relieved single seated valve
- diaphragm-controlled
- continuously adjustable outlet pressure
- max. inlet pressure up to 25 bar
- outlet pressure: 0,2 - 2 bar
- male thread acc. ISO 7
- with integrated strainer filter
- replaceable inner parts
- double-ended G 1/4" manometer fitting (for outlet pressure)
- assembly position: any desired, preferably vertical
- minimum pressure difference (inlet/outlet pressure): 1 bar
- EPDM seals with FDA conformity

### Pressures



max. 25 bar



0,2 - 2 bar

### Connections



Male thread  
acc. ISO 7  
from R 1/2" up to R 2"

### Materials

	body	spring bonnet	seals	wetted inner parts	max. temperature
standard version	stainless steel 1.4408	stainless steel 1.4408	EPDM*, FKM, NBR***	stainless steel 1.4404	190 °C**



### Temperatures

Various options in the area of seals and wetted inner parts allow a maximum temperature of up to 190 °C.



from -30 °C up to +190 °C

### Seals and temperatures

NBR***	-15 °C to +100 °C
EPDM*	-30 °C to +130 °C
FKM	-10 °C to +190 °C

\*with FDA conformity  
\*\*with FKM seals  
\*\*\*only DN 15 to DN 32



**Technical data**

nominal size	15	20	25	32	40	50
R	1/2"	3/4"	1"	1 1/4"	1 1/2"	2"

**Type**

A

B

**Pressures**

max. inlet pressure [bar]

max. 25 bar		DRV 750-R	25	25

outlet pressure [bar]

0,2 - 2 bar		DRV 750-R	0,2 - 2	0,2 - 2

**Connections**

dimensions [mm]

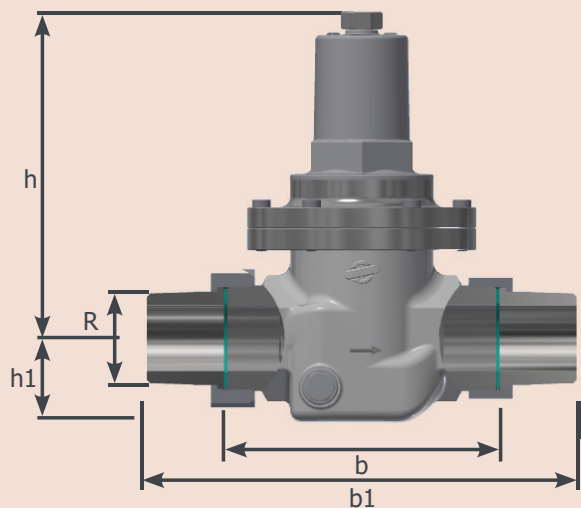
Male thread from R 1/2" to R 2"		R	1/2"	3/4"	1"	1 1/4"	1 1/2"	2"
		b	105	105	122	122	160	160
		b1	168	168	195	195	250	250
		h1	29	29	38	38	39	39
		h	136	136	148	148	271	271
		DRV 750-R						

weight [kg]

DRV 750-R	2,0	2,0	3,8	3,9	10,3	10,2
-----------	-----	-----	-----	-----	------	------

kvs-value [m³/h]

DRV 750-R	2,9	3,9	5,4	6,1	9	13
-----------	-----	-----	-----	-----	---	----





## Article number

nominal size	15	20	25	32	40	50
R	1/2"	3/4"	1"	1 1/4"	1 1/2"	2"

standard version

DRV 750-R    075002-R0XXX    075003-R0XXX    075004-R0XXX    075005-R0XXX    075006-R0XXX    75007-R0XXX

Article numbers are 11 digits. (See option overview and configuration example)

## Options

### CC - connections

R0 - ISO 7

### E - elastomers

3 - FKM  
 1 - NBR    only DN 15 to DN 32  
 8 - EPDM                                        with FDA conformity

### M - material of wetted inner parts

3 - stainless steel 1.4404

### F - finishes

0 - without additional finishes

## Configuration example of an article number with additional options

inlet pressure: 2 bar  
 seals: EPDM

outlet pressure: 0,5 bar  
 temperature: 30 °C

connection: 2" ISO 7  
 without additional finishes

art.no. standard version						-	C	C	M	E	F
0	7	5	0	0	7	-	R	0	3	8	0

## Manometer

diameter	connection	body	pressure range	max. temp.	art.no.*
63 mm	G 1/4", central back	stainless steel	0 - 10 bar	190 °C**	009014

\*article numbers are 11 digits, see option overview and configuration example  
 \*\*with FKM seals



**Flow diagram**

