

DRV 732-D-R • DRV 738-D-R  
Type A (DN 15 - DN 32)



DRV 732-D-R • DRV 738-D-R  
Type B (DN 40 - DN 50)



**Media** .....

The pressure reducers are particularly suitable for use with hot water and steam, but can also be used in the case of aggressive water and other aggressive liquids. They are also suitable for air and neutral gases when larger flow rates are required.

**Pressure reducing valve**  
**Male thread • Steam**  
**Stainless steel**

Pressure reducing valves of the series are piston-controlled, spring-loaded pressure reducing valves. These valves are inlet pressure relieved.

DGRL 2014/68/EU **CE**

**Classification societies** .....

- DNV GL
- LR
- BV
- ABS
- CCS

**Customs tariff number** .....

84811019



### Features

- pressure relieved single seated valve
- piston-controlled
- continuously adjustable outlet pressure
- max. inlet pressure up to 16 bar
- outlet pressure: 2 - 10 bar
- male thread acc. ISO 7
- replaceable inner parts
- double-ended G 1/4" manometer fitting (for outlet pressure)
- assembly position: any desired, preferably vertical
- minimum pressure difference (inlet/outlet pressure): 0.3 bar

### Pressures



max. 16 bar



2 - 10 bar

### Connections



Male thread  
acc. ISO 7  
from R 1/2" up to R 2"

### Materials



steam up to 150 °C

body  
stainless steel  
1.4408

spring bonnet  
stainless steel 1.4408

seals  
PTFE/ EPDM

wetted inner parts  
stainless steel 1.4404

max.  
temperature  
150 °C



steam up to 200 °C

body  
stainless steel  
1.4408

spring bonnet  
stainless steel 1.4408

seals  
PTFE/ EPDM/  
FEPM

wetted inner parts  
stainless steel 1.4404

max.  
temperature  
200 °C



### Temperatures

Various options in the area of seals and wetted inner parts allow a maximum temperature of up to 200 °C.



from -30 °C up to +200 °C

### Seals and temperatures

PTFE/ EPDM

- 30 °C to +150 °C

PTFE/ EPDM/ FEPM

+20 °C to +200 °C



**Technical data**

|              |      |      |    |        |        |    |
|--------------|------|------|----|--------|--------|----|
| nominal size | 15   | 20   | 25 | 32     | 40     | 50 |
| R            | 1/2" | 3/4" | 1" | 1 1/4" | 1 1/2" | 2" |

**Type**

A

B

**Pressures**

max. inlet pressure [bar]

max. 16 bar



DRV 732-D-R

16

16

DRV 738-D-R

16

16

outlet pressure [bar]

2 - 10 bar



DRV 732-D-R

2 - 5

2 - 5

DRV 738-D-R

4 - 10

4 - 10

**Connections**

male thread  
from R 1/2" up to R 2"



dimensions [mm]

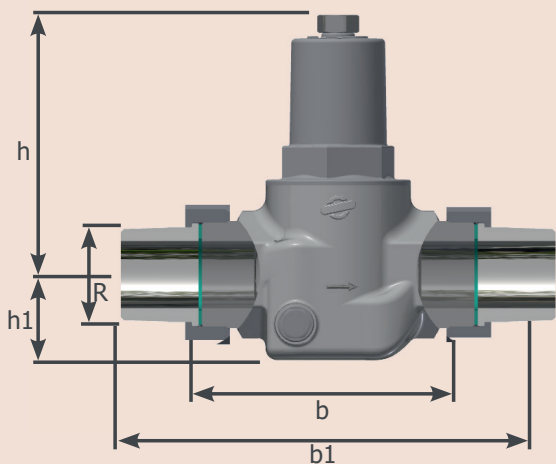
|           |    |      |      |     |        |        |     |
|-----------|----|------|------|-----|--------|--------|-----|
|           | R  | 1/2" | 3/4" | 1"  | 1 1/4" | 1 1/2" | 2"  |
|           | b  | 105  | 105  | 122 | 122    | 160    | 160 |
| all types | b1 | 168  | 168  | 195 | 195    | 250    | 250 |
|           | h1 | 29   | 29   | 38  | 38     | 38     | 38  |
|           | h  | 117  | 117  | 117 | 117    | 217    | 217 |

weight [kg]

|           |     |     |     |     |     |     |
|-----------|-----|-----|-----|-----|-----|-----|
| DRV 732-R | 1.7 | 1.7 | 2.9 | 2.9 | 6,7 | 6,7 |
| DRV 738-R | 1.7 | 1,7 | 2.9 | 2.9 | 6,7 | 6,7 |

kvs-value [m³/h]

|           |     |     |     |     |      |      |
|-----------|-----|-----|-----|-----|------|------|
| all types | 3.6 | 4.1 | 5.3 | 5.6 | 13.3 | 14.0 |
|-----------|-----|-----|-----|-----|------|------|





**Article number** .....

| nominal size | 15   | 20   | 25 | 32     | 40     | 50 |
|--------------|------|------|----|--------|--------|----|
| R            | 1/2" | 3/4" | 1" | 1 1/4" | 1 1/2" | 2" |

steam up to 150 °C

|             |              |              |              |              |              |              |
|-------------|--------------|--------------|--------------|--------------|--------------|--------------|
| DRV 732-D-R | 073202-R00A0 | 073203-R00A0 | 073204-R00A0 | 073205-R00A0 | 073206-R00A0 | 073207-R00A0 |
| DRV 738-D-R | 073802-R00A0 | 073803-R00A0 | 073804-R00A0 | 073805-R00A0 | 073806-R00A0 | 073807-R00A0 |

steam up to 200 °C

|             |              |              |              |              |              |              |
|-------------|--------------|--------------|--------------|--------------|--------------|--------------|
| DRV 732-D-R | 073202-R00B0 | 073203-R00B0 | 073204-R00B0 | 073205-R00B0 | 073206-R00B0 | 073207-R00B0 |
| DRV 738-D-R | 073802-R00B0 | 073803-R00B0 | 073804-R00B0 | 073805-R00B0 | 073806-R00B0 | 073807-R00B0 |

Article numbers for are 11 digits. (See option overview and configuration example)

**Options** .....

**CC - connection**

R0 - ISO 7

**M - materials of wetted inner parts**

0 - stainless steel 1.4404

**E - elastomers**

A - PTFE/ EPDM steam up to 150 °C  
 B - PTFE/ EPDM/ FEPM steam up to 200 °C

**F - finishes**

0 - without additional finishes

**Configuration example of an article number with additional options** .....

inlet pressure: 6 bar  
 seals: PTFE/EPDM/FEPM

outlet pressure: 4 bar  
 temperature: 160 °C

connection: 2" ISO 7  
 without additional finishes

| art. no. standard version |   |   |   |   |   |   |   |   |   |   |   |
|---------------------------|---|---|---|---|---|---|---|---|---|---|---|
| 0                         | 7 | 3 | 2 | 0 | 7 | - | C | C | M | E | F |
| 0                         | 7 | 3 | 2 | 0 | 7 | - | R | 0 | 0 | B | 0 |

**Manometer** .....

| diameter | connection           | body            | pressure range | max. temp. | art.no.* |
|----------|----------------------|-----------------|----------------|------------|----------|
| 63 mm    | G 1/4", central back | stainless steel | 0 - 10 bar     | 200 °C     | 009014   |

\*article numbers are 11 digits, see option overview and configuration example