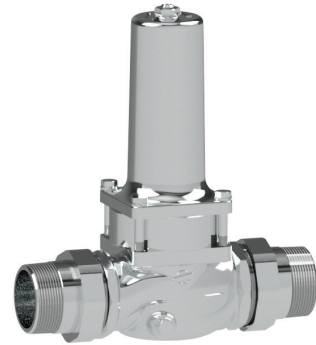


DRV 724-R • DRV 725-R  
Type A (DN 15 - DN 32)



DRV 724-R • DRV 725-R  
Type B (DN 40 - DN 50)



**Media** .....

The pressure reducers are suitable for use with aggressive waters and other aggressive liquids, but can also be used for air and neutral gases when larger flow rates are required.

**Pressure reducing valve**  
**Male thread • High pressure**  
**Stainless steel**

Pressure reducing valves of the series are piston-controlled, spring-loaded pressure reducing valves. These valves are inlet pressure relieved.

DGRL 2014/68/EU **CE**

**Classification societies** .....

- DNV GL
- LR
- BV
- ABS
- CCS

**Customs tariff number** .....

84811005



### Features

- pressure-relieved single seated valve
- piston-controlled
- continuously adjustable outlet pressure
- max. inlet pressure up to 40 bar
- outlet pressure: 1,5 - 20 bar
- male thread acc. ISO 7
- with integrated strainer filter
- replaceable inner parts
- double-ended G 1/4" manometer fitting (for outlet pressure)
- assembly position: any desired, preferably vertical
- minimum pressure difference (inlet/outlet pressure): 1 bar

### Pressures



max. 40 bar



1,5 - 20 bar

### Connections



Male thread  
acc. ISO 7  
from R 1/2" up to R 2"

### Materials

	body	spring bonnet	seals	wetted inner parts	max. temperature
standard version	stainless steel 1.4408	stainless steel 1.4408	EPDM*, FKM, NBR	stainless steel 1.4404	190 °C**



### Temperatures

Various options in the area of seals and wetted inner parts allow a maximum temperature of up to 190 °C.



from -30 °C up to +190 °C

### Seals and temperatures

NBR	-15 °C to +100 °C
EPDM*	-30 °C to +130 °C
FKM	-10 °C to +190 °C

\*only DN 40 & DN 50  
\*\*with FKM seals



**Technical data**

nominal size	15	20	25	32	40	50
R	1/2"	3/4"	1"	1 1/4"	1 1/2"	2"

**Type**

A

B

**Pressures**

max. inlet pressure [bar]

max. 40 bar



DRV 724-R

40

40

DRV 725-R

40

40

outlet pressure [bar]

1,5 - 10 bar



DRV 724-R

1,5 - 12

1,5 - 12

DRV 725-R

2,0 - 20

2,0 - 20

**Connections**

Male thread  
from R 1/2" to R 2"



dimensions [mm]

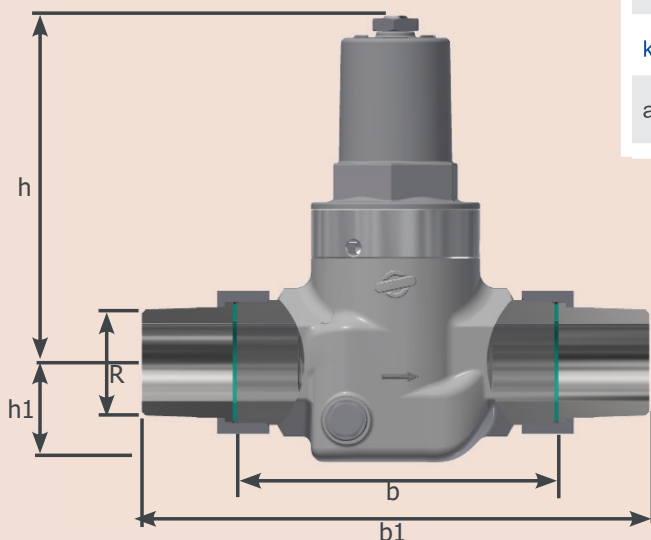
	R	1/2"	3/4"	1"	1 1/4"	1 1/2"	2"
	b	105	105	122	122	160	160
all types	b1	168	168	195	195	250	250
	h1	29	29	38	38	39	39
	h	133	133	133	133	243	243

weight [kg]

DRV 724-R	1,9	1,9	3,2	3,3	8,0	7,9
DRV 725-R	2,0	2,0	3,3	3,3	8,0	8,0

kvs-value [m³/h]

all types	2,9	3,9	5,4	6,1	9	13
-----------	-----	-----	-----	-----	---	----





## Article number

nominal size	15	20	25	32	40	50
R	1/2"	3/4"	1"	1 1/4"	1 1/2"	2"
standard version						
DRV 724-R	072402-R0XXX	072403-R0XXX	072404-R0XXX	072405-R0XXX	072406-R0XXX	072407-R0XXX
DRV 725-R	072502-R0XXX	072503-R0XXX	072504-R0XXX	072505-R0XXX	072506-R0XXX	072507-R0XXX

Article numbers are 11 digits. (See option overview and configuration example)

## Options

### CC - connections

R0 - ISO 7

### M - material of wetted inner parts (selectable range)

3 - stainless steel 1.4404  
 9 - stainless steel 1.4404 (Complete valve)

### E - elastomers (selectable range)

3 - FKM  
 1 - NBR  
 2 - EPDM only DN 40 & DN 50

### F - finishes

0 - without additional finishes

## Configuration example of an article number with additional options

inlet pressure: 25 bar  
 seals: FKM

outlet pressure: 5 bar  
 temperature: 30 °C

connection: 2" ISO 7  
 without additional finishes

art.no. standard version											
0	7	2	5	0	7	-	C	C	M	E	F
							R	0	3	3	0

## Manometer

diameter	connection	body	pressure range	max. temp.	art.no.*
63 mm	G 1/4", central back	stainless steel	0 - 10 bar	190 °C**	009014
63 mm	G 1/4", central back	stainless steel	0 - 20 bar	190 °C**	009017

\*article numbers are 11 digits, see option overview and configuration example  
 \*\*with FKM seals



**Flow diagram**

