

DRV 702-R • DRV 708-R
Type A (DN 15 - DN 32)



DRV 702-R • DRV 708-R
Type B (DN 40 - DN 50)



Media

The pressure reducers are suitable for use with aggressive waters and other aggressive liquids, but can also be used for air and neutral gases when larger flow rates are required.

FDA / EC 1935/2004

Our stainless steel series with EPDM seals correspond to the requirements of the EU Regulation EC 1935/2004 and the Regulations of the FDA (Food and Drug Administration).

The metallic components in contact with the medium are made of austenitic materials such as 1.4408 and 1.4404.

The EPDM seals are conform FDA (21 CFR part 177.2600) and EC 1935/2004. This means you can use our stainless steel series with EPDM seals in the secondary sector of food applications.

Pressure reducing valve
Male thread • Standard pressure
Stainless steel

Pressure reducing valves of the series are diaphragm-controlled, spring-loaded pressure reducing valves. These valves are inlet pressure relieved.

DGRL 2014/68/EU **CE**

Classification societies

- DNV GL
- LR
- BV
- ABS
- CCS

Customs tariff number

84811005



Features

- pressure-relieved single seated valve
- diaphragm-controlled
- continuously adjustable outlet pressure
- max. inlet pressure up to 40 bar
- outlet pressure: 1,5 - 10 bar
- male thread acc. ISO 7
- replaceable inner parts
- double-ended G 1/4" manometer fitting (for outlet pressure)
- assembly position: any desired, preferably vertical
- minimum pressure difference (inlet/outlet pressure): 1 bar
- EPDM seals with FDA conformity

Pressures



max. 40 bar



1,5 - 10 bar

Connections



Male thread
acc. ISO 7
from R 1/2" up to R 2"

Materials

	body	spring bonnet	seals	wetted inner parts	max. temperature
standard version	stainless steel 1.4408	stainless steel 1.4408	EPDM*, FKM, NBR	stainless steel 1.4404	190 °C**



Temperatures

Various options in the area of seals and wetted inner parts allow a maximum temperature of up to 190 °C.



from -30 °C up to +190 °C

Seals and temperatures

NBR	-15 °C to +100 °C
EPDM*	-30 °C to +130 °C
FKM	-10 °C to +190 °C

*with FDA conformity
**with FKM seals



Technical data

nominal size	15	20	25	32	40	50
R	1/2"	3/4"	1"	1 1/4"	1 1/2"	2"

Type

A

B

Pressures

max. inlet pressure [bar]

max. 40 bar



DRV 702-R

40

40

DRV 708-R

40

40

outlet pressure [bar]

1,5 - 10 bar



DRV 702-R

1,5 - 6

1,5 - 6

DRV 708-R

1,5 - 10

1,5 - 10

Connections

Male thread
from R 1/2" to R 2"



dimensions [mm]

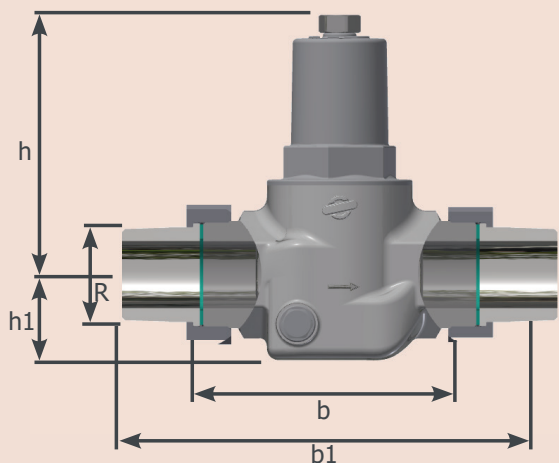
	R	1/2"	3/4"	1"	1 1/4"	1 1/2"	2"
	b	105	105	122	122	156	160
all types	b1	168	168	195	195	250	250
	h1	29	29	38	38	39	39
	h	116	116	116	116	219	219

weight [kg]

DRV 702-R	1,6	1,7	2,8	2,8	6,5	6,4
DRV 708-R	1,6	1,6	2,8	2,9	6,6	6,6

kvs-value [m³/h]

all types	2,9	3,9	5,4	6,1	9	13
-----------	-----	-----	-----	-----	---	----





Article number

nominal size	15	20	25	32	40	50
R	1/2"	3/4"	1"	1 1/4"	1 1/2"	2"

standard version

DRV 702-R	070202-R0XXX	070203-R0XXX	070204-R0XXX	070205-R0XXX	070206-R0XXX	070207-R0XXX
DRV 708-R	070802-R0XXX	070803-R0XXX	070804-R0XXX	070805-R0XXX	070806-R0XXX	070807-R0XXX

Standard article numbers are 6 digits, article numbers for additional options are 11 digits. (See options overview and configuration example)

Options

CC - connections

R0 - ISO 7

M - material of wetted inner parts

- 3 - stainless steel 1.4404
- 9 - stainless steel 1.4404 (Complete valve)

E - elastomers

- 3 - FKM
- 1 - NBR
- 8 - EPDM with FDA conformity

F - finishes

- 0 - without additional finishes

Configuration example of an article number with additional options

inlet pressure: 10 bar
seals: EPDM

outlet pressure: 7 bar
temperature: 30 °C

connection: 2" ISO 7
without additional finishes

art.no. standard version						-	C	C	M	E	F
0	7	0	8	0	7	-	R	0	3	8	0

Manometer

diameter	connection	body	pressure range	max. temp.	art.no.*
63 mm	G 1/4", central back	stainless steel	0 - 10 bar	190 °C**	009014

*article numbers are 11 digits, see option overview and configuration example
**with FKM seals



Flow diagram

